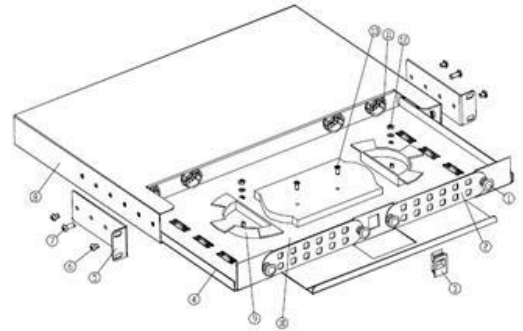


19" 1RU Slide-out Rack Mount Fibre Distribution Frame

atg Technology Group provides a broad selection of rack mounted fibre optic trays. Our 1RU Slide-out Rack Mount tray is ready to be mounted into a 19" equipment rack. Suitable for outdoor loose tube cable, indoor cable and ribbon cable this tray comes with splice tray and required adaptor plates



Features

- Slide out design, easy to access the rear and splice tray
- Adjustable side rack positions
- Tray lock
- Dual mounting poles for outdoor armoured cable
- supports up to 24 fibres
- Front patchcord tray for front and side cable management
- Complies with TIA/EIA 568B.3

Ordering Information:

Part Number	Description	Size(mm) H x D
LI-LRP-4833-24-LC	1RU 24F Sliding Patch Panel LC Duplex (Laser Plate) C/W 2x Adapter Plates & 2x12F Splice Trays	44mm x 440mm x 310mm