

MPO/MTP® 1RU Fibre Drawer

Description

The 1U Drawer Rack provide secure transitions between MPO/MTP® and LC discrete connector interfaces. They are used to interface MPO/MTP® backbones with LC patching and active equipment connections.

The 1U Drawer Rack contains factory controlled and tested MPO/MTP®-LC fanouts to deliver optical performance and reliability.

Low loss MPO/MTP® Elite® and LC Premium versions are offered featuring significantly improved low insertion losses for demanding low power budget, high speed networks.



Features and Benefits

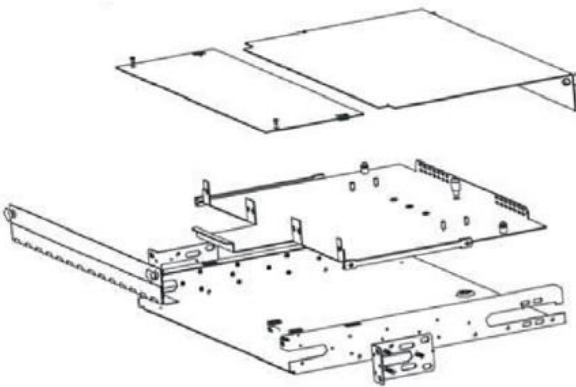
- 19" Rack Mount
- Black Colour
- Factory Terminated and Tested
- 96F full loaded capacity,
- 8 x 8F or 8 x 12F or 4 x 24F cassettes are available
- 483mm x 270mm x 1U

Application

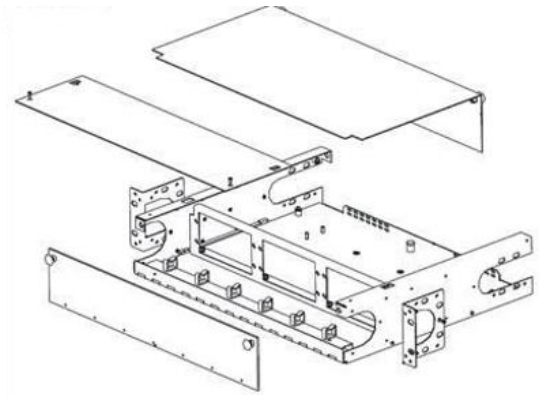
- Data Centre Infrastructure
- Storage Area Network - Fibre Channel
- Emerging 40 and 100Gbps Protocols
- Data Communication Applications

MPO/MTP® 1RU Fibre Drawer

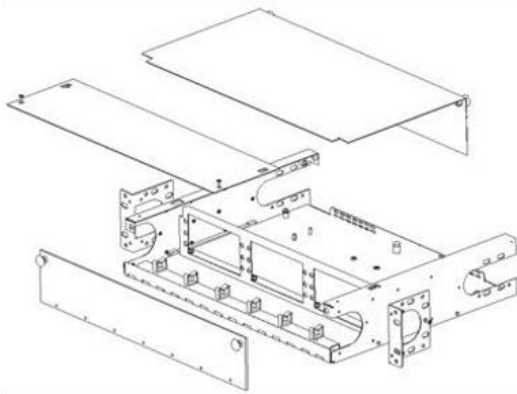
Assembly Drawing



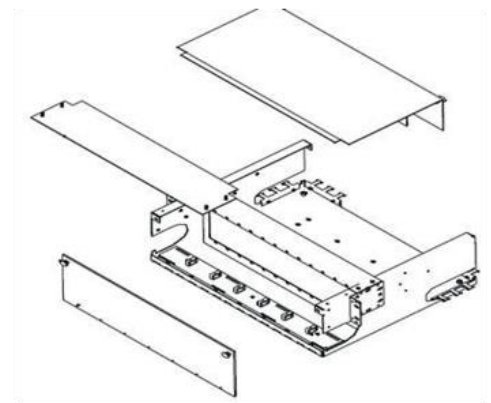
1U



2U



3U

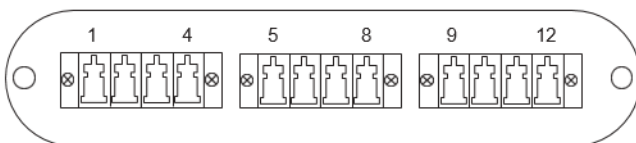


4U

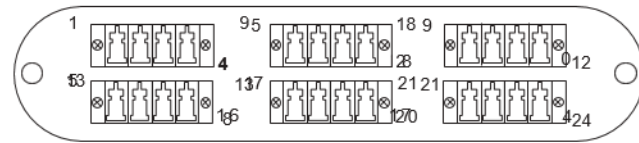
Space	Number of module
1U	3
2U	6
3U	9
4U	12

Module Configuration

LC Quad (12ports)



LC Quad (24ports)



Please contact atg for more detail and delivery times

